

**KIRKLAND**  
*Signature*™

By Whirlpool  
CORPORATION

---

## UPRIGHT FREEZERS

Use & Care Guide

---

## CONGÉLATEURS VERTICAUX

Guide d'utilisation  
et d'entretien

---

Table of Contents/Table des matières..... 2

---

---

# TABLE OF CONTENTS

<b>FREEZER SAFETY</b> .....	3
<b>PARTS AND FEATURES</b> .....	4
<b>INSTALLING YOUR FREEZER</b> .....	5
Unpacking Your Freezer .....	5
Space Requirements .....	5
Electrical Requirements .....	6
Door Handle .....	6
Leveling and Door Alignment .....	6
<b>USING YOUR FREEZER</b> .....	7
Setting the Control .....	7
Key Eject Lock .....	7
Refrigerated Shelves .....	7
Storage Gate .....	8
Base Grille .....	8
<b>CARING FOR YOUR FREEZER</b> .....	8
Cleaning Your Frost-Free Freezer .....	8
Defrosting and Cleaning Your	
Manual Defrost Freezer .....	9
Light Bulbs .....	10
Power Interruptions .....	10
Moving Care .....	10
<b>TROUBLESHOOTING</b> .....	11
<b>REQUESTING ASSISTANCE OR SERVICE</b> .....	13
<b>WARRANTY</b> .....	14

---

# TABLE DES MATIÈRES

<b>SÉCURITÉ DU CONGÉLATEUR</b> .....	16
<b>PIÈCES ET CARACTÉRISTIQUES</b> .....	17
<b>INSTALLATION DU CONGÉLATEUR</b> .....	18
Déballage du congélateur .....	18
Espace requis .....	18
Spécifications électriques .....	19
Poignée de la porte .....	19
Nivellement et alignement de la porte .....	19
<b>UTILISATION DU CONGÉLATEUR</b> .....	20
Réglage de la commande .....	20
Serrure à clé séparée .....	20
Clayettes de réfrigération .....	20
Barrière d'entreposage .....	21
Grille de la base .....	21
<b>ENTRETIEN DU CONGÉLATEUR</b> .....	21
Nettoyage du congélateur sans givre .....	21
Dégivrage et nettoyage du congélateur	
à dégivrage manuel .....	22
Ampoules d'éclairage .....	23
Pannes de courant électrique .....	23
Déménagement .....	23
<b>DÉPANNAGE</b> .....	24
<b>DEMANDE D'ASSISTANCE OU DE SERVICE</b> .....	26
<b>GARANTIE</b> .....	27

# FREEZER SAFETY

## Your safety and the safety of others is very important.

We have provided many important safety messages in this manual and on your appliance. Always read and obey all safety messages.



This is the safety alert symbol.

This symbol alerts you to hazards that can kill or hurt you and others.

All safety messages will be preceded by the safety alert symbol and the word "DANGER" or "WARNING." These words mean:

**⚠ DANGER**

You will be killed or seriously injured if you don't follow instructions.

**⚠ WARNING**

You can be killed or seriously injured if you don't follow instructions.

All safety messages will identify the hazard, tell you how to reduce the chance of injury, and tell you what can happen if the instructions are not followed.

## IMPORTANT SAFETY INSTRUCTIONS

**WARNING:** To reduce the risk of fire, electric shock, or injury when using your freezer, follow these basic precautions:

- Plug into a grounded 3 prong outlet.
- Do not remove ground prong.
- Do not use an adapter.
- Do not use an extension cord.
- Disconnect power before servicing.
- Replace all panels before operating.
- Use nonflammable cleaner.
- Keep flammable materials and vapors, such as gasoline, away from freezer.
- Use two or more people to move and install freezer.
- Keep key away from children.
- Remove doors or lid from your old freezer or refrigerator.

**SAVE THESE INSTRUCTIONS**

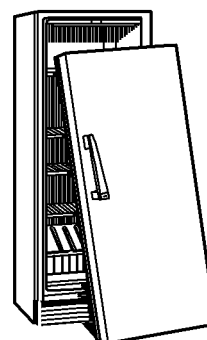
## Proper Disposal of Your Old Freezer or Refrigerator

**⚠ WARNING**

### Suffocation Hazard

Remove doors or lid from your old freezer or refrigerator.

Failure to do so can result in death or brain damage.



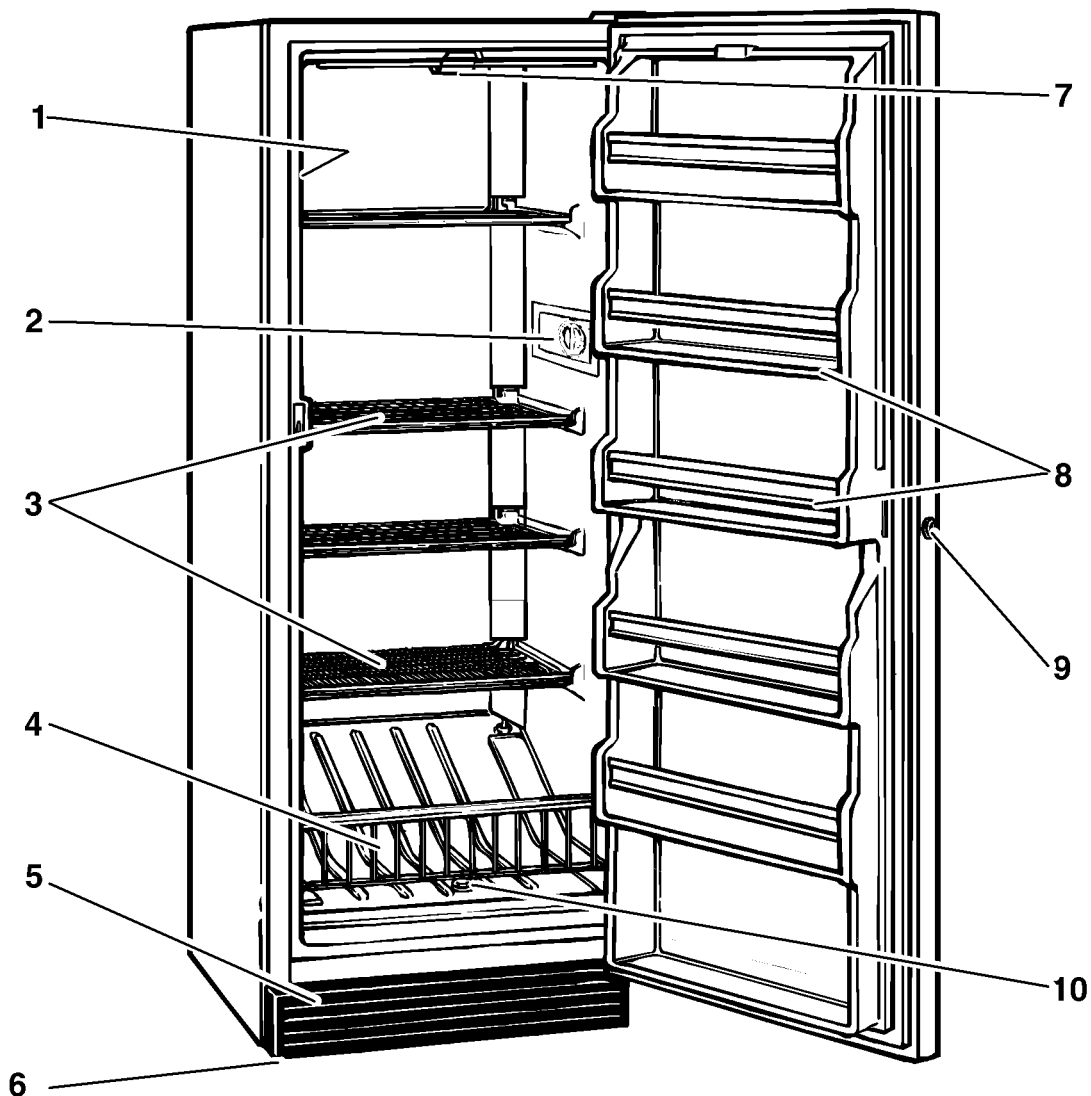
**BEFORE YOU THROW AWAY YOUR OLD FREEZER OR REFRIGERATOR:**

- Take off the doors or lid.
- Leave the shelves in place so that children may not easily climb inside.

**IMPORTANT** – Child entrapment and suffocation are not problems of the past. Junked or abandoned freezers or refrigerators are still dangerous ... even if they will sit for "just a few days."

# PARTS AND FEATURES

**NOTE:** This manual covers several different models. The freezer you have purchased may have some or all of the items listed. The locations of the features may not match your model.



1. Model and serial number label (on inside wall)
2. Temperature control
3. Refrigerated stationary shelves (number varies by model)
4. Storage gate
5. Base grille

6. Leveling legs (behind base grille)
7. Light (on some models)
8. Stationary door shelves (number varies by model)
9. Key eject lock (on some models)
10. Drain and drain cap (on some models)

# INSTALLING YOUR FREEZER

## Unpacking Your Freezer

### **⚠ WARNING**

#### Excessive Weight Hazard

Use two or more people to move and install freezer.

Failure to do so can result in back or other injury.

### Removing packaging materials

- Remove tape and any labels from your refrigerator before using (except the model and serial number label and tech sheet label).

To remove any remaining tape or glue, rub the area briskly with your thumb. Tape or glue residue can also be easily removed by rubbing a small amount of liquid dish soap over the adhesive with your fingers. Wipe with warm water and dry.

- Do not use sharp instruments, rubbing alcohol, flammable fluids, or abrasive cleaners to remove tape or glue. These products can damage the surface of your freezer. For more information, see the "Freezer Safety" section.

**IMPORTANT:** Do not remove any permanent instruction labels inside your freezer.

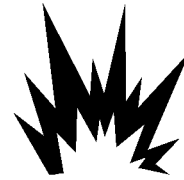
### Cleaning before use

After you remove all of the packaging materials, clean the inside of your freezer before using it. Use a clean sponge or soft cloth and mild detergent in warm water to clean outside and inside of the freezer, lid liner, and gasket. Rinse well and wipe dry with a clean soft cloth.

For more information, see the cleaning instructions in the "Caring for your Freezer" section.

## Space Requirements

### **⚠ WARNING**

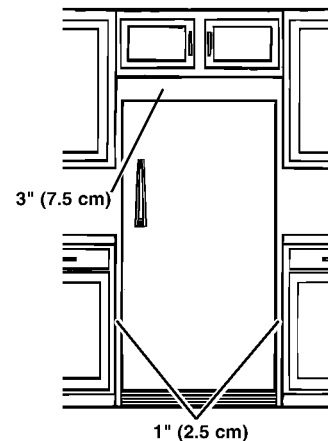


#### Explosion Hazard

Keep flammable materials and vapors, such as gasoline, away from freezer.

Failure to do so can result in death, explosion, or fire.

- Your freezer operates most efficiently when located in an area where the temperature is normally between 32 °F (0 °C) and 11 °F (43C).
- Keep flammable materials and vapors, such as gasoline, away from freezer. Do not install the freezer near an oven, radiator or other heat source.
- Check the strength of the floor before installing your freezer. It should hold the weight of a freezer fully loaded with food.
- Allow at least 3 inches (7.5 cm) of air space on both sides of the freezer and 1 inch (2.5 cm) between the back of the freezer and the wall.



- If the freezer is to be against a wall, leave extra space on the hinge side so the door can open wider.

## Electrical Requirements

### **⚠ WARNING**



#### **Electrical Shock Hazard**

**Plug into a grounded 3 prong outlet.**

**Do not remove ground prong.**

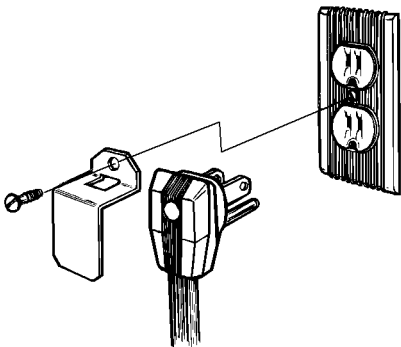
**Do not use an adapter.**

**Do not use an extension cord.**

**Failure to follow these instructions can result in death, fire, or electrical shock.**

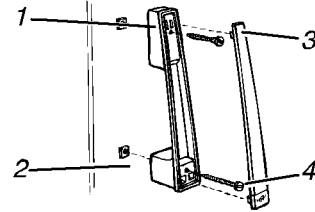
### **Recommended Grounding Method**

A 115 Volt, 60 Hz., AC only 15 or 20 ampere fused, grounded electrical supply is required. It is recommended that a separate circuit serving only your freezer be provided. Use an outlet that cannot be turned off by a switch or pull chain. Do not use an extension cord. Attach retaining clip, from literature package inside the freezer, over power cord plug.



## Door Handle

1. Remove screws from front of freezer door and discard.
2. Locate handle assembly kit among packing materials.
3. Attach top of handle to top hole in door with shorter of 2 screws provided.
4. Attach bottom of handle to lower hole in door with longer of 2 screws.

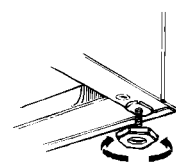


1. Handle
2. Freezer Door
3. Trim Piece
4. Use long screw here

5. Snap trim piece into place.

## Leveling and Door Alignment

1. Locate, remove and discard the 4 bolts that held the freezer in the shipping crate.
2. Locate the 2 front leveling legs taped among the packing materials.
3. Screw these legs into the front holes on the bottom of the freezer. The back of the freezer rests on 2 fixed supports.
4. Adjust the 2 front legs so freezer does not rock.
5. Connect freezer to proper electrical supply and attach retaining clip. (Refer to "Electrical Requirements" section.)
6. Slide freezer into place.
7. Place a leveling tool on top of the freezer—first side to side, then front to back. Turn leg counterclockwise to raise a corner. Turn leg clockwise to lower a corner.



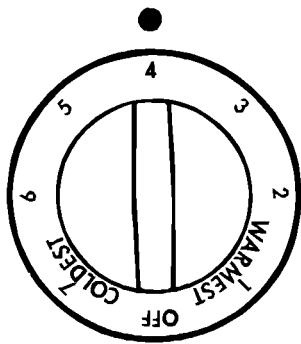
8. Repeat Step 7 until freezer is level.
9. After freezer is fully loaded with food, recheck with level as in Step 7.

# USING YOUR FREEZER

## Setting the Control

Turn the freezer temperature control to 4. This setting is designed to maintain the temperature at or near 0 F (-17.8C) under normal operating conditions.

Allow the freezer to cool 6 to 8 hours before filling with frozen food. Let the freezer cool overnight before adding large amounts of unfrozen food. Never add more than 2 to 3 pounds (907-1,350 g) of unfrozen food per cubic foot of freezer space.



**NOTE:** When the freezer is first started, the compressor will run constantly until the cabinet is cooled. It may take up to 6 or 8 hours (or longer), depending on room temperature and the number of times the freezer lid is opened.

After the cabinet is cooled, the compressor will turn on and off as needed to keep the freezer at the proper temperature.

The outside of your freezer may feel warm. This is normal. The freezer's design and main function is to remove heat from packages and air space inside the freezer. The heat is transferred to the room air, making the outside of the freezer feel warm.

## Adjusting the temperature control

- Turn control to a higher number for colder temperatures.
- Turn control to a lower number for less cold temperatures.

## Key Eject Lock (on some models)

### **⚠ WARNING**

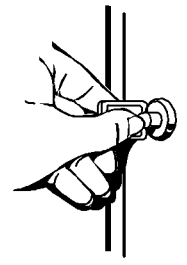
#### Entrapment Hazard

Keep key away from children.

Failure to do so can result in death, suffocation, or frostbite.

If your freezer is equipped with a lock, it can greatly reduce the hazard of child entrapment.

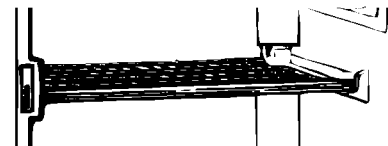
To lock or unlock the freezer, you must hold the key in the lock while turning. The lock is spring loaded, so the key cannot be left in the lock.



If the key is lost, contact your dealer for a replacement. Always give the model and serial number of your freezer when requesting a replacement key.

## Refrigerated Shelves (on some models)

Your freezer is equipped with refrigerated interior shelves. Packages in direct contact with the shelves will have the best refrigeration. Fresh, unfrozen food packages should be stored directly on the shelves and not on top of already frozen food packages.



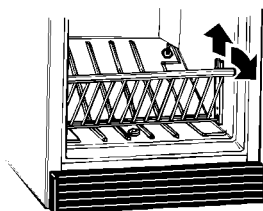
When placing the food packages in your freezer, please remember:

- The cabinet shelves have the best freezing capability. The door shelves and the bottom of the cabinet have a slightly less cold temperature. Therefore, packages sensitive to temperature (meat, poultry, etc.) should not be placed on the door shelves or the freezer bottom.
- Leave some space between the food packages so that cold air can pass over and around them.

## Storage Gate

### To lower storage gate:

1. Lift top of gate up slightly, out of the supports.
2. Pull gate forward and down.



### To raise storage gate:

1. Return gate to upright position.
2. Lift top of gate slightly to clear supports.
3. Lower gate into supports.

## Base Grille

### For manual defrost models:

The base grille will need to be removed when defrosting the freezer.



### To remove the grille:

1. Open the door.
2. Pull on both sides of the grille.

### To replace the grille:

1. Line up grille support tabs with openings in freezer cabinet.
2. Push firmly to snap grille into place.
3. Close the door.

# CARING FOR YOUR FREEZER

## Cleaning Your Frost-Free Freezer (on some models)

### **! WARNING**



#### Explosion Hazard

**Use nonflammable cleaner.**

**Failure to do so can result in death, explosion, or fire.**

Frost-free means that you will never have to defrost your freezer. Frost is removed by air moving and collecting any moisture and depositing it on the cooling coil. The cooling coil periodically warms up just enough to melt the frost, and it then flows down to the drain pan (located behind the base grille) where it is evaporated.

Complete cleaning should be done at least once a year.

1. Unplug freezer or disconnect power.
2. Remove all frozen food. Wrap frozen food in several layers of newspaper and cover with a blanket. Food will stay frozen for several hours. You may also store frozen food in a cooler, additional refrigerator-freezer, or in a cool area.
3. Wash the inside walls with a solution of mild detergent in warm water or 2 tablespoons (26 mg) baking soda to 1 quart (0.95 L) warm water. Do not use abrasive or harsh cleaners.
4. Rinse well and wipe dry with a clean soft cloth.
5. Use a clean sponge or soft cloth and mild detergent in warm water to clean outside of freezer, door liner and gasket.
6. Rinse well and wipe dry with a clean soft cloth.
7. Wax painted metal surfaces outside of freezer to provide rust protection.  
**NOTE:** Do not use wax on plastic parts. Wax may damage them.
8. Replace all frozen food.
9. Plug in freezer or reconnect power.
10. Refer to "Setting the controls" section.

# Defrosting and Cleaning Your Manual Defrost Freezer

(on some models)

## ⚠ WARNING



### Explosion Hazard

**Use nonflammable cleaner.**

**Failure to do so can result in death, explosion, or fire.**

Defrost and clean your freezer when frost has built up to about ¼ inch (6 mm) thickness. Complete defrosting and cleaning should be done at least once a year. In high humidity areas, a freezer may need more frequent defrosting and cleaning.

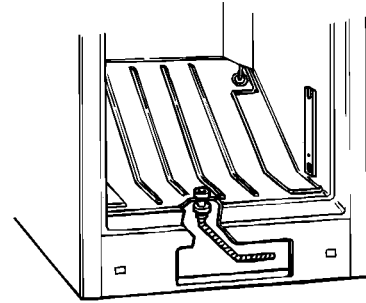
Do not use abrasive cleaners on your freezer. Do not use cleaning waxes, concentrated detergents, bleaches, or cleaners containing petroleum on plastic parts. Damage can occur.

**NOTE:** The drain cap must be removed before defrosting the freezer and replaced securely afterward.

1. Unplug freezer or disconnect power.
2. Remove all frozen food. Wrap frozen food in several layers of newspaper and cover with a blanket. Food will stay frozen for several hours. You may also store frozen food in a cooler, an additional refrigerator-freezer, or a cool area.
3. Remove base grille. (See "Base grille" section.)
4. **For models with a drain system:**  
Reach under the unit and pull the drain hose out through the opening. The drain hose carries defrost water out of the freezer, and through the area behind the base grille.

Place a large shallow pan under the drain hose. Remove the drain cap inside freezer.

**NOTE:** Check the drain pan frequently to avoid water overflow. Have a second pan handy for easier emptying.



### For models without a drain system:

Remove water using a sponge or baster to remove excess water from the freezer bottom and empty water into a large pan.

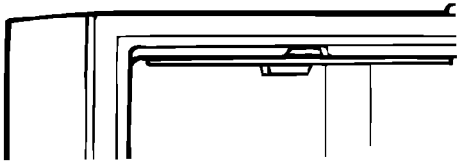
5. Place pans of hot water in freezer with door open to speed melting. Directing air from an electric fan into freezer will also help. Do not place fan or any electrical device in freezer.
6. Use a plastic scraper to remove frost.  
**NOTE:** Do not use an ice pick, knife, or other sharp-pointed tool to defrost freezer. Damage can occur.
7. Wipe water from walls with a towel or sponge.
8. Wash the inside walls with a solution of mild detergent in warm water or 2 tablespoons (26 mg) baking soda to 1 quart (0.95 L) warm water. Do not use abrasive or harsh cleaners.
9. Rinse well and wipe dry with a clean soft cloth.
10. Use a clean sponge or soft cloth and mild detergent in warm water to clean outside of freezer, door liner, and gasket.
11. Rinse well and wipe dry with a clean soft cloth.
12. Wax painted metal surfaces outside of freezer to provide rust protection.  
**NOTE:** Do not use wax on plastic parts. Wax may damage them.
13. **For models with a drain system, you should replace the drain hose, drain cap and base grille.**
14. Replace all frozen food.
15. Plug in freezer or reconnect power.
16. Refer to "Setting the Control" section.

---

## Light Bulbs (on some models)

### To replace interior light:

1. Unplug freezer or disconnect power.
2. Remove light shield by squeezing sides slightly and pulling out.
3. Replace bulb with a 15-watt appliance bulb.
4. Replace light shield by inserting back tabs into slots and squeezing shield lightly to insert front tabs into slots.
5. Plug in freezer or reconnect power.
6. Refer to the "Setting the Control" section.



---

## Moving Care

- Remove all frozen food and pack it in dry ice.
- Unplug the freezer and clean it thoroughly.
- Tape the freezer lid shut and tape electrical cord to the cabinet.

When you get to your new home, refer to the "Installing Your Freezer" and "Using Your Freezer" sections for information on installation and setting controls.

---

## Power Interruptions

If the electricity in your house goes off, call the power company and ask how long it will be off.

1. If the power will be out for **24 hours or less**, keep **freezer closed** to help foods stay frozen.
2. If the power will be out for **more than 24 hours**:
  - a) Remove all frozen food and store it in a frozen food locker.

**OR**

  - b) Place 2 lbs (907 g) of dry ice in the freezer for every cubic foot (28.32 L) of freezer space. This will keep the food frozen for two to four days. While handling dry ice, wear gloves to protect your hands from ice burns.

**OR**

  - c) If neither a food locker nor dry ice is available, use up or can perishable food at once.

**NOTE:** A full freezer stays cold longer than a partially filled one. A freezer full of meat stays cold longer than a freezer full of baked goods. If food contains ice crystals, it may be safely refrozen, although the quality and flavor may be affected. If the condition of the food is poor, or if you feel it is unsafe, dispose of it.

---

# TROUBLESHOOTING

---

Try the solutions suggested here first in order to possibly avoid the cost of a service call...

---

## Your freezer will not operate

---

- **Is the power supply cord unplugged?**  
Firmly plug the cord into a live outlet with proper voltage.
  - **Has a household fuse or circuit breaker tripped?**  
Replace the fuse or reset the circuit.
  - **Is the temperature control set to a numbered setting?**  
Refer to the "Setting the Controls" section.
  - **Is the freezer defrosting (on some models)?**  
Recheck to see if the freezer is operating in 30 minutes. Your freezer will regularly run an automatic defrost cycle.
- 

## The lights do not work

---

- **Is the power supply cord unplugged?**  
Firmly plug the cord into a live outlet with proper voltage.
  - **Is a light bulb loose in the socket?**  
Turn the freezer control to "OFF." Disconnect the freezer from the electrical supply. Gently remove the bulb and reinsert. Then reconnect the freezer to the electrical supply and reset the freezer control.
  - **Has a light bulb burned out?**  
Replace with an appliance bulb of the same wattage, size, and shape. See the "Light Bulbs" section.
- 

## The motor seems to run too much

---

- **Is the excessive frost or a package preventing the door from closing?**  
Defrost and clean the freezer, or move the package so the door closes properly.
- **Is the room temperature hotter than normal?**  
Expect the motor to run longer under warm conditions. At normal room temperatures, expect your motor to run about 40% to 80% of the time. Under warmer conditions, expect it to run even more of the time.
- **Has a large amount of food just been added to the freezer?**  
Adding a large amount of food warms the freezer. It is normal for the motor to run longer in order to cool the freezer back down. Add no more unfrozen food at one time than will freeze in 24 hours — approximately 2-3 lbs (0.9-1.4 kg) per cubic foot of freezer space.
- **Is the door opened often?**  
Expect the motor to run longer when this occurs. In order to conserve energy, try to get everything you need out of the freezer at once, keep food organized so it is easy to find, and close the door as soon as the food is removed.

- **Is the control set correctly for the surrounding conditions?**  
Refer to the "Setting the Control" section.
- **Is the door not closed completely?**  
Push the doors firmly shut. If they will not shut all the way, see "The doors will not close completely" later in this section.
- **Are the condenser coils dirty?**  
This prevents air transfer and makes the motor work harder. Clean the condenser coils. Refer to the "Cleaning Your Freezer" section.
- **Is the door gasket sealed all the way around?**  
Contact a qualified person or a technician.
- **Is there enough air circulation space around the freezer?**  
See the "Space Requirements" section.

**NOTE:** If the problem is not due to any of the above, remember that your new freezer will run longer than your old one due to its high efficiency motor.

---

## Temperature is too warm

---

- **Is the door opened often?**  
Be aware that the freezer will warm when this occurs. In order to keep the freezer cool, try to get everything you need out of the freezer at once, keep food organized so it is easy to find, and close the door as soon as the food is removed.
- **Has a large amount of food just been added to the freezer?**  
Adding a large amount of food warms the freezer. It can take several hours for the freezer to return to the normal temperature.
- **Is the control set correctly for the surrounding conditions?**  
Refer to the "Setting the Control" section.

---

## The doors will not close completely

---

- **Are food packages blocking the door open?**  
Rearrange containers so that they fit more tightly and take up less space.
- **Is the ice bin out of position?**  
Put the shelves and baskets back into their correct position.
- **Are the gaskets dirty or sticky?**  
Clean gaskets according to the directions in the "Cleaning Your freezer" section.
- **Does the refrigerator wobble or seem unstable?**  
Level the freezer. Refer to the "Space Requirements" section.

---

## The doors are difficult to open

---

- **Are the gaskets dirty or sticky?**  
Clean gaskets according to the directions in the "Cleaning Your freezer" section.

---

## The freezer clicks but does not run

---

- **Has the local power has failed?**  
Unplug the freezer for 30 minutes to allow the refrigeration system to equalize. During this time, keep the door closed whenever possible.

---

# REQUESTING ASSISTANCE OR SERVICE

Before calling for assistance or service, please check the "Troubleshooting" section. It may save you the cost of a service call. If you still need help, follow the instructions below.

## FOR ASSISTANCE OR SERVICE IN THE U.S.A.:

### 1. If the problem is not due to one of the items listed in the "Troubleshooting" section...

Call the Whirlpool Consumer Assistance Center toll free at 1-800-253-1301. Our consultants are available to assist you.

When calling, please know the purchase date and the complete model and serial number of your appliance (see the "Warranty" section). This information will help us better respond to your request.

#### Our consultants provide assistance with:

- Features and specifications on our full line of appliances
- Installation information
- Use and maintenance procedures
- Accessory and repair parts sales
- Specialized customer assistance (Spanish speaking, hearing impaired, limited vision, etc.)
- Referrals to local dealers, service companies, and repair parts distributors

**Whirlpool designated service technicians** are trained to fulfill the product warranty and provide after-warranty service, anywhere in the United States.

To locate the Whirlpool designated service company in your area, you can also look in your telephone directory Yellow Pages.

### 2. If you need replacement parts...

If you need to order replacement parts, we recommend that you only use Factory Specified Parts. Factory Specified Parts will fit right and work right, because they are made with the same precision used to build every new Kirkland Signature™ appliance by Whirlpool Corporation.

To locate Factory Specified Parts in your area, call our Consumer Assistance Center telephone number or your nearest designated service center.

### 3. For further assistance...

If you need further assistance, you can write to Whirlpool with any questions or concerns at:

Whirlpool Corporation  
Consumer Assistance Center  
c/o Correspondence Dept.  
2000 North M-63  
Benton Harbor, MI 49022-2692

Please include a daytime phone number in your correspondence.

#### \*When asking for help or service:

Please provide a detailed description of the problem, your appliance's complete model and serial numbers, and the purchase date. (See "Warranty" section.) This information will help us respond properly to your request.

# FREEZER WARRANTY



By Whirlpool CORPORATION

## TWO-YEAR FULL WARRANTY FROM DATE OF PURCHASE

For two years from the date of purchase, when this freezer is operated and maintained according to instructions attached to or furnished with the product, Whirlpool will pay for Factory Specified Parts and repair labor to correct defects in materials or workmanship. Service must be provided by a Whirlpool designated service company.

## FIVE-YEAR FULL WARRANTY FROM DATE OF PURCHASE

For five years from the date of purchase, when this freezer is operated and maintained according to instructions attached to or furnished with the product, Whirlpool will pay for Factory Specified Parts and repair labor to correct defects in materials or workmanship in the sealed refrigeration system. These parts are: Compressor, evaporator, condenser, connecting tubing. Service must be provided by a Whirlpool designated service company.

### Whirlpool Corporation will not pay for:

1. Service calls to correct the installation of your freezer, to instruct you how to use your freezer, to replace house fuses or correct house wiring or plumbing, to replace light bulbs.
2. Repairs when your freezer is used in other than normal, single-family household use.
3. Pickup and delivery. Your freezer is designed to be repaired in the home.
4. Damage to your freezer caused by accident, misuse, fire, flood, acts of God, or use of products not approved by Whirlpool.
5. Food loss coverage for freezers used in commercial applications.
6. Repairs to parts or systems resulting from unauthorized modifications made to the appliance.

### WHIRLPOOL CORPORATION SHALL NOT BE LIABLE FOR INCIDENTAL OR CONSEQUENTIAL DAMAGES

Some states do not allow the exclusion or limitation of incidental or consequential damages, so this exclusion or limitation may not apply to you. This warranty gives you specific legal rights, and you may also have other rights which vary from state to state.

Outside the United States, a different warranty may apply. For details, contact Whirlpool Corporation.

Whirlpool Corporation is responsible for providing any in-warranty service covered in this warranty. If you need service, first see the "Troubleshooting" section of this book. After checking "Troubleshooting," additional help can be found by checking the "Requesting Assistance or Service" section or by calling the Whirlpool Consumer Assistance Center, 1-800-253-1301 (toll-free), from anywhere in the U.S.A. or writing: Whirlpool Corporation, Consumer Assistance Center, c/o Correspondence Dept., 2000 North M-63, Benton Harbor, MI 49022-2692. 1/99

### LIMITED DOMESTIC FOOD LOSS COVERAGE REIMBURSEMENT FOR FOOD LOSSES.

During the first year of ownership, the Kirkland Signature™ appliance by Whirlpool Corporation warranty provides reimbursement as stated below for food actually spoiled while stored in the freezer as a result of defects in materials or workmanship.

During the second through fifth years of ownership, reimbursement will be made as stated below for food actually spoiled while stored in the freezer as a result of a FAILURE OF THE SEALED REFRIGERATION SYSTEM.

Food spoilage losses must be verified by Whirlpool or a Whirlpool designated service company. Reimbursement of losses will be based on domestic use and freezer size up to the total cumulative amount shown for the five-year warranty period.

14.9 cubic feet or smaller up to \$100.00 maximum payment

15.0 cubic feet or larger up to \$150.00 maximum payment

The reimbursement amounts shown may or may not cover the actual replacement cost of the contents of your freezer. They are, however, the maximum payments that will be paid, and they are cumulative for the five-year warranty period.

Sorry, but Whirlpool is not responsible for food losses caused by natural spoilage, misuse, or negligent care of the freezer, or by accidental or intentional disconnecting of the electrical power cord, power interruption, inadequate power, fire damage, water damage, theft, riots, strikes, war, or acts of God.

**Keep this book and your sales slip together for future reference. You must provide proof of purchase or installation date for in-warranty service.**

Write down the following information about your refrigerator to better help you obtain assistance or service if you ever need it. You will need to know your complete model number and serial number. You can find this information on the model and serial number label, located on your appliance as shown in the Parts and Features section of this book.

Dealer name \_\_\_\_\_

Address \_\_\_\_\_

Phone number \_\_\_\_\_

Model number \_\_\_\_\_

Serial number \_\_\_\_\_

Purchase date \_\_\_\_\_

# SÉCURITÉ DU CONGÉLATEUR

## Votre sécurité et celle des autres est très importante.

Nous donnons de nombreux messages de sécurité importants dans ce manuel et sur votre appareil ménager. Assurez-vous de toujours lire tous les messages de sécurité et de vous y conformer.



Voici le symbole d'alerte de sécurité.

Ce symbole d'alerte de sécurité vous signale les dangers susceptibles de causer le décès et des blessures graves à vous et à d'autres.

Tous les messages de sécurité seront précédés du symbole d'alerte de sécurité et du mot "DANGER" ou "AVERTISSEMENT". Ces mots signifient :

**⚠ DANGER**

Risque certain de décès ou de blessure grave si vous ne suivez pas les instructions.

**⚠ AVERTISSEMENT**

Risque possible de décès ou de blessure grave si vous ne suivez pas les instructions.

Tous les messages de sécurité identifient le danger et vous disent comment réduire le risque de blessure et ce qui peut se produire en cas de non-respect des instructions.

## IMPORTANTES INSTRUCTIONS DE SÉCURITÉ

**AVERTISSEMENT** : Pour réduire les risques d'incendie, de choc électrique ou des blessures lors de l'utilisation du congélateur, prendre quelques précautions fondamentales, y compris les suivantes :

- Brancher l'appareil sur une prise à 3 alvéoles reliée à la terre.
- Ne pas enlever la broche de liaison à la terre.
- Ne pas utiliser un adaptateur.
- Ne pas utiliser un câble de rallonge.
- Débrancher la source de courant électrique avant l'entretien.
- Replacer tous les panneaux avant de faire la remise en marche.
- Utiliser un produit de nettoyage ininflammable.
- Garder les matériaux et les vapeurs inflammables, telle que l'essence, loin du congélateur.
- Utiliser deux personnes ou plus pour déplacer et installer le congélateur.
- Garder la clé loins des enfants.
- Enlever les portes ou le couvercle de votre vieux congélateur ou réfrigérateur.

## CONSERVEZ CES INSTRUCTIONS

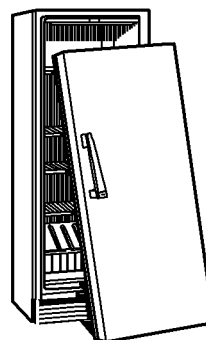
## Mise au rebut appropriée de votre vieux congélateur ou réfrigérateur

**⚠ AVERTISSEMENT**

Risque de suffoquer

Enlever les portes ou le couvercle de votre vieux congélateur ou réfrigérateur.

Le non-respect de cette instruction peut causer un décès ou des lésions cérébrales.



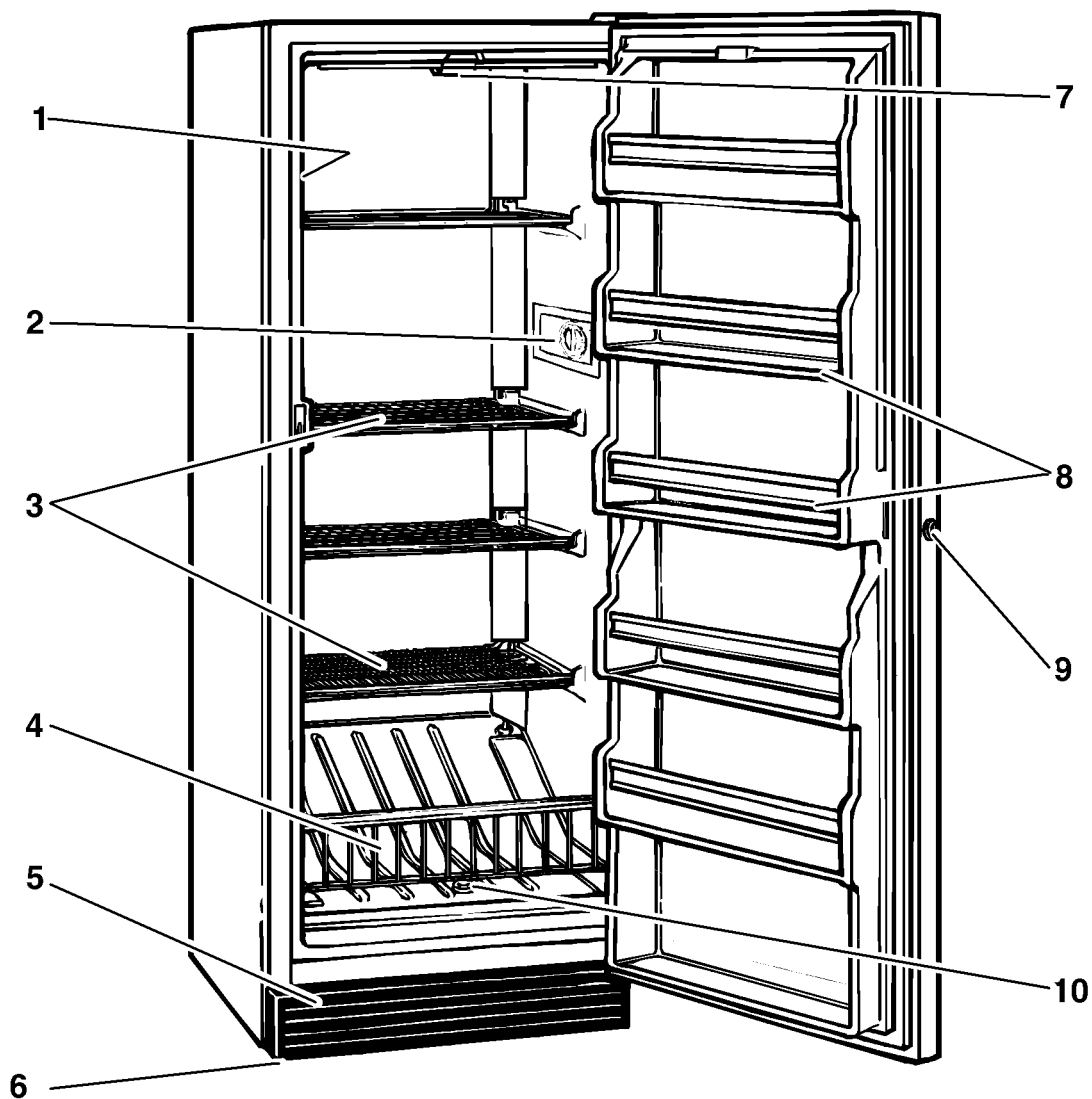
## AVANT DE METTRE AU REBUT VOTRE VIEUX CONGÉLATEUR OU RÉFRIGÉRATEUR :

- Enlever les portes ou le couvercle.
- Laisser les tablettes en place, de sorte que les enfants ne puissent pas facilement se glisser à l'intérieur.

**IMPORTANT** – Le problème des enfants trouvés enfermés ou étouffés n'est pas nouveau. Les congélateurs ou réfrigérateurs jetés ou abandonnés présentent des dangers, même s'ils sont abandonnés pendant "quelques jours" seulement.

# PIÈCES ET CARACTÉRISTIQUES

**REMARQUE :** Ce manuel couvre plusieurs modèles différents. Le congélateur que vous avez acheté peut avoir certaines ou toutes les caractéristiques indiquées ci-dessous. Les emplacements des caractéristiques peuvent ne pas correspondre au modèle que vous avez.



1. Plaque signalétique des numéros de modèle et de série (paroi interne)
2. Commande de la température
3. Clayettes stationnaires de réfrigération (nombre variable selon le modèle)
4. Barrière d'entreposage
5. Grille de la base
6. Pieds de nivellement (derrière la grille de la base)
7. Lumière (sur certains modèles)
8. Compartiments stationnaires dans la porte (nombre variable selon le modèle)
9. Serrure avec clé séparée (sur certains modèles)
10. Bouchon de drainage et conduit d'écoulement (sur certains modèles)

# INSTALLATION DU CONGÉLATEUR

## Déballage du congélateur

### ⚠ AVERTISSEMENT

#### Risque du poids excessif

Utiliser deux ou plus de personnes pour déplacer et installer le congélateur.

Le non-respect de cette instruction peut causer une blessure au dos ou d'autre blessure.

### Enlèvement des matériaux d'emballage

- Enlever les rubans adhésifs et toutes les étiquettes de votre congélateur, avant de l'utiliser (excepter l'étiquette des numéros de modèle et de série, et l'étiquette de la fiche technique).

Pour enlever le ruban gommé ou l'adhésif qui reste, frotter la surface vivement avec le pouce. La colle ou l'adhésif qui reste peuvent être facilement enlevés par frottement avec les doigts d'une petite quantité de savon à vaisselle liquide sur l'adhésif. Rincer à l'eau tiède et essuyer.

- Ne pas utiliser d'instruments acérés, d'alcool à friction, de liquides inflammables ou de nettoyants abrasifs pour enlever le ruban adhésif ou la colle. Ces produits peuvent endommager la surface de votre congélateur. Pour plus de renseignements, voir la section "Sécurité du congélateur".

**IMPORTANT :** Ne pas enlever les étiquettes permanentes d'instruction à l'intérieur du congélateur.

### Nettoyage avant l'utilisation

Après avoir enlevé tous les matériaux d'emballage, nettoyer l'intérieur du congélateur avant l'utilisation. Utiliser une éponge ou un chiffon doux et un détergent doux dilué dans de l'eau tiède pour nettoyer l'extérieur et l'intérieur du congélateur, la surface intérieure du couvercle et le joint. Bien rincer et essuyer avec un linge doux et propre.

Pour plus de renseignements, voir les instructions de nettoyage à la section "Entretien du congélateur".

## Espacement requis

### ⚠ AVERTISSEMENT

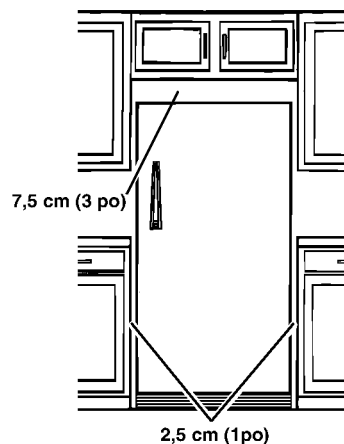


#### Risque d'explosion

Garder les matériaux et les vapeurs inflammables, telle que l'essence, loin du congélateur.

Le non-respect de cette instruction peut causer un décès, une explosion ou un incendie.

1. Le congélateur fonctionne plus efficacement lorsqu'il est situé dans un endroit où la température est normalement entre 0 °C (32 °F) et 11 °C (43 °F).
2. Garder les matériaux et les vapeurs inflammables, telle que l'essence, loin du congélateur. Ne pas installer le congélateur près d'un four, radiateur ou autre source de chaleur.
3. Vérifier la force du plancher avant d'installer le congélateur. Le plancher doit supporter le poids d'un congélateur entièrement rempli d'aliments.
4. Laisser un espace d'au moins 7,5 cm (3 po) des deux côtés du congélateur et de 2,5 cm (1 po) entre l'arrière du congélateur et le mur.



5. Si le congélateur doit être contre un mur, laisser un espace plus grand du côté des charnières pour que la porte puisse s'ouvrir plus grande.

# Spécifications électriques

## ⚠ AVERTISSEMENT



### Risque de choc électrique

**Brancher sur une prise à 3 alvéoles reliée à la terre.**

**Ne pas enlever la broche de liaison à la terre.**

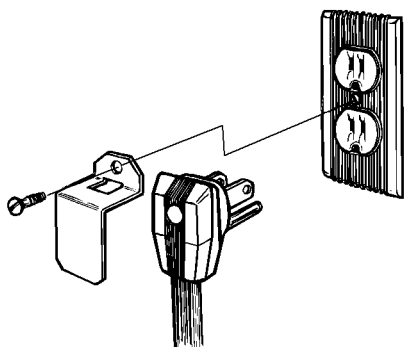
**Ne pas utiliser un adaptateur.**

**Ne pas utiliser un câble de rallonge.**

**Le non-respect de ces instructions peut causer un décès, un incendie ou un choc électrique.**

### Méthode recommandée de mise à la terre

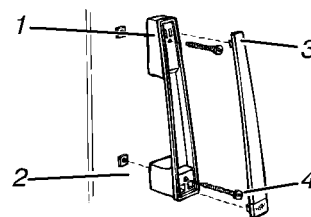
Une source de courant électrique de 115 V, 60 Hz, CA seulement, et protégée par fusible de 15 ou 20 A, adéquatement mise à la terre est nécessaire. Il est recommandé d'utiliser un circuit distinct pour alimenter uniquement le congélateur. Utiliser une prise de courant murale qui ne peut pas être mise hors circuit à l'aide d'un commutateur ou d'une chaîne. Ne pas employer un câble de rallonge. Fixer la bride de retenue sur la fiche de courant électrique. Cette bride est contenue dans l'enveloppe de documentation.



## Poignée de la porte

1. Enlever les vis de la porte avant du congélateur et les jeter.
2. Prendre la trousse de montage de la poignée parmi les matériaux d'emballage.
3. Fixer le sommet de la poignée dans le trou supérieur de la porte avec les 2 vis plus courtes fournies.

4. Fixer la base de la poignée dans le trou inférieur de la porte avec les 2 vis plus longues.

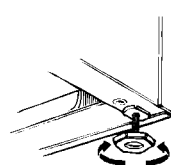


1. Poignée
2. Porte du congélateur
3. Garniture
4. Utiliser la vis longue ici

5. Enclencher la garniture en place.

## Nivellement et alignement de la porte

1. Localiser, enlever et jeter les 4 boulons qui retiennent le congélateur dans la caisse d'expédition.
2. Localiser les 2 pieds de nivellement à l'avant, joints aux matériaux d'emballage.
3. Visser ces pieds dans les trous avant, à la base du congélateur. L'arrière du congélateur repose sur deux appuis fixes.
4. Ajuster les 2 pieds avant de sorte que le congélateur ne bouge pas.
5. Raccorder le congélateur à une alimentation électrique appropriée et fixer la bride de retenue. (Voir la section "Spécifications électriques".)
6. Glisser le congélateur en place.
7. Placer un niveau au sommet du congélateur d'abord de côté à côté, puis de l'avant à l'arrière. Tourner le pied dans le sens antihoraire pour soulever un coin. Tourner le pied dans le sens horaire pour abaisser un coin.



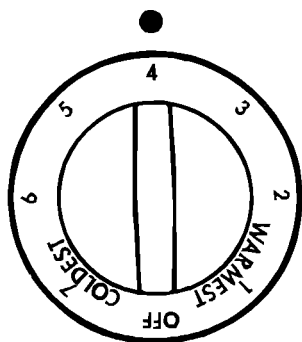
8. Répéter l'étape 7 jusqu'à ce que le congélateur soit d'aplomb.
9. Lorsque le congélateur est complètement rempli d'aliments, vérifier de nouveau le niveau comme à l'étape 7.

# UTILISATION DU CONGÉLATEUR

## Réglage de la commande

Tourner la commande de température du congélateur à 4. Ce réglage est destiné à maintenir la température à ou près de  $-17,8^{\circ}\text{C}$  ( $0^{\circ}\text{F}$ ) dans des conditions normales d'utilisation.

Laisser le congélateur refroidir pendant 6 à 8 heures avant de le remplir d'aliments congelés. Laisser le congélateur refroidir une nuit avant d'ajouter de grandes quantités d'aliments non congelés. Ne jamais ajouter plus de 2 à 3 lb (907 à 1,350 g) d'aliments non congelés par pied cube d'espace de congélation.



**REMARQUE :** Lorsque le congélateur est mis en marche au début, le compresseur fonctionne constamment, jusqu'à ce que la caisse soit refroidie. Ce refroidissement peut demander jusqu'à 6 ou 8 heures (ou plus), selon la température ambiante et la fréquence des ouvertures et des fermetures du congélateur.

Lorsque la caisse est refroidie, le compresseur s'arrête et recommence au besoin, pour maintenir le congélateur à la température appropriée.

L'extérieur du congélateur peut paraître tiède. Ceci est normal. Le concept et la fonction principale du congélateur est d'éliminer la chaleur des emballages et de l'espace d'air à l'intérieur du congélateur. La chaleur est transmise à l'air de la pièce, ce qui rend l'extérieur du congélateur tiède.

## Ajustement de la commande de température

- Tourner la commande à un chiffre plus élevé pour des températures plus froides.
- Tourner la commande à un chiffre moins élevé pour des températures moins froides.

## Serrure à clé séparée (sur certains modèles)

### **AVERTISSEMENT**

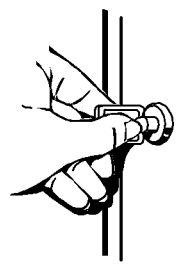
#### Risque d'emprisonnement

Garder la clé loin des enfants.

**Le non-respect de cette instruction peut causer un décès, une suffocation ou des gelures.**

Si le congélateur est muni d'une serrure, ceci peut grandement réduire le risque qu'un enfant s'y enferme.

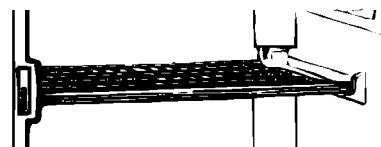
Pour verrouiller ou déverrouiller le congélateur, vous devez garder la clé dans la serrure en la tournant. La serrure est activée par ressort, de sorte que la clé ne peut pas être laissée dans la serrure.



Si la clé est perdue, contacter votre marchand pour un remplacement. Toujours donner les numéros de modèle et de série du congélateur lors d'une demande d'une clé de remplacement.

## Clayettes de réfrigération (sur certains modèles)

Le congélateur est muni de clayettes intérieures réfrigérées. Les emballages en contact direct avec les clayettes auront la meilleure réfrigération. Des emballages d'aliments frais, non congelés, doivent être gardés directement sur les clayettes et non pas au-dessus des emballages d'aliments déjà congelés.



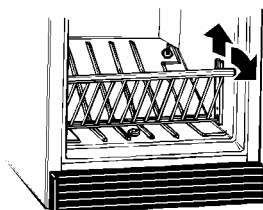
Lorsqu'on place des emballages d'aliments dans le congélateur, il faut se rappeler ce qui suit :

- Les clayettes de la caisse ont la meilleure capacité de congélation. Les compartiments dans la porte et à la base de la caisse ont une température légèrement moins froide. Par conséquent, les emballages sensibles à la température (viande, volaille, etc.) devraient être placés dans les compartiments de la porte ou à la base du congélateur.
- Laisser de l'espace entre les emballages d'aliments, de sorte que l'air froid puisse circuler autour des aliments.

## Barrière d'entreposage

**Pour abaisser la barrière d'entreposage :**

1. Soulever légèrement le sommet de la barrière, hors des appuis.
2. Tirer la barrière vers l'avant et vers le bas.



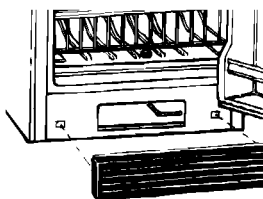
**Pour lever la barrière d'entreposage :**

1. Retourner la grille à la position verticale.
2. Soulever légèrement le sommet de la barrière pour la dégager des appuis.
3. Abaisser la barrière dans les appuis.

## Grille de la base

**Pour les modèles à dégivrage manuel :**

La grille de la base doit être enlevée lors du dégivrage du congélateur.



**Pour enlever la grille :**

1. Ouvrir la porte.
2. Tirer sur les deux côtés de la grille.

**Pour replacer la grille :**

1. Aligner les languettes d'appui de la grille avec les ouvertures dans la caisse du congélateur.
2. Appuyer fermement pour enclencher la grille en place.
3. Fermer la porte.

# ENTRETIEN DU CONGÉLATEUR

## Nettoyage du congélateur sans givre (sur certains modèles)

### ⚠ AVERTISSEMENT



**Risque d'explosion**

**Utiliser un produit de nettoyage ininflammable.**

**Le non-respect de cette instruction peut causer un décès, une explosion ou un incendie.**

"Sans givre" signifie que le congélateur n'aura jamais besoin d'être dégivré. Le givre est enlevé par l'air en circulation qui accapare toute humidité et la dépose sur le serpentin de refroidissement. Le serpentin de refroidissement se réchauffe périodiquement, juste assez pour faire fondre le givre, et ensuite l'écoule dans le plat d'égouttage (situé derrière la grille de la base) où le liquide s'évapore.

Un nettoyage complet doit être fait au moins une fois par année.

1. Débrancher le congélateur ou la source d'alimentation électrique.
2. Retirer tous les aliments congelés. Envelopper les aliments congelés dans plusieurs épaisseurs de journaux et recouvrir d'une couverture. Les aliments demeureront congelés pendant plusieurs heures. On peut aussi entreposer les aliments congelés dans un contenant refroidisseur, un congélateur additionnel de réfrigérateur ou dans un endroit froid.

3. Laver les parois intérieures avec une solution de détergent doux dans de l'eau tiède ou avec 2 cuillerées à soupe (26 mg) de bicarbonate de sodium pour 0,95 L (1 pinte) d'eau tiède. Ne pas utiliser un nettoyant abrasif ou rude.
  4. Bien rincer et essuyer avec un linge doux et propre.
  5. Utiliser une éponge ou un linge doux propre et un détergent dans l'eau tiède pour nettoyer l'extérieur du congélateur, l'intérieur de la porte et le joint.
  6. Bien rincer et essuyer avec un linge doux et propre.
  7. Enduire de cire les surfaces en métal peintes à l'extérieur du congélateur pour fournir une protection antirouille.
- REMARQUE :** Ne pas utiliser de cire sur les pièces en plastique. La cire peut les endommager.
8. Replacer tous les aliments congelés.
  9. Brancher le congélateur ou activer la source d'alimentation électrique.
  10. Consulter la section "Réglage de la commande".

## Dégivrage et nettoyage du congélateur à dégivrage manuel

(sur certains modèles)

### ⚠ AVERTISSEMENT



**Risque d'explosion**

**Utiliser un produit de nettoyage ininflammable.**

**Le non-respect de cette instruction peut causer un décès, une explosion ou un incendie.**

Dégivrer et nettoyer le congélateur lorsque le givre s'est accumulé à une épaisseur d'environ 6 mm (¼ po). Le dégivrage et le nettoyage au complet devraient être faits au moins une fois par année. Dans les endroits où l'humidité est élevée, un congélateur peut demander un dégivrage et un nettoyage plus fréquents.

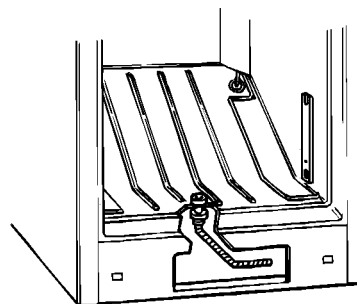
Ne pas utiliser de nettoyants abrasifs sur le congélateur. Ne pas utiliser de cires à nettoyer, de détergents concentrés, d'agents de blanchiment, ou de nettoyants contenant du pétrole, sur les pièces en plastique. Des dommages peuvent survenir.

**REMARQUE :** Le bouchon d'écoulement doit être enlevé avant le dégivrage du congélateur et doit être bien remplacé lorsque le dégivrage est terminé.

1. Débrancher le congélateur ou interrompre le courant électrique.
2. Retirer tous les aliments congelés. Envelopper les aliments congelés dans plusieurs épaisseurs de journaux et recouvrir d'une couverture. Les aliments demeureront congelés pendant plusieurs heures. On peut aussi entreposer les aliments congelés dans un contenant refroidisseur, un congélateur additionnel de réfrigérateur ou dans un endroit froid.
3. Enlever la grille de la base (voir section "Grille de la base").
4. **Pour les modèles avec système d'écoulement :** Accéder sous l'appareil et retirer le tuyau d'écoulement de l'ouverture. Le tuyau d'écoulement transporte l'eau de dégivrage à l'extérieur du congélateur, et à travers l'espace en arrière de la grille de la base.

Placer un grand plat peu profond sous le tuyau d'écoulement. Enlever le bouchon d'écoulement à l'intérieur du congélateur.

**REMARQUE :** Vérifier fréquemment le plat d'écoulement pour éviter le renversement de l'eau. Garder un deuxième plat à proximité pour une vidange plus facile.



**Pour modèles sans système d'écoulement :**

Enlever l'eau en utilisant une éponge ou une poire à jus pour enlever l'excès d'eau à la base du congélateur et vider l'eau dans un grand plat.

5. Placer des plats d'eau chaude dans le congélateur avec la porte ouverte pour hâter la décongélation. L'emploi d'un éventail électrique pour transmettre de l'air chaud dans le congélateur peut aussi aider. Ne pas placer l'éventail ou tout dispositif électrique dans le congélateur.
6. Utiliser un grattoir en plastique pour enlever le givre.

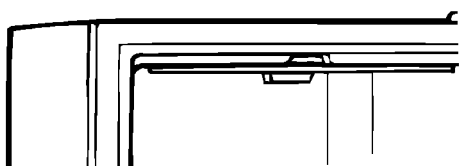
**REMARQUE :** Ne pas utiliser un pic à glace, un couteau ou autre outil pointu pour dégivrer le congélateur. Des dommages peuvent survenir.

7. Essuyer l'eau des parois avec une serviette ou une éponge.
  8. Laver les parois intérieures avec une solution de détergent doux dans l'eau tiède ou avec 2 cuillères à soupe (26 mg) de bicarbonate de sodium pour 0,95 L (1 pinte) d'eau tiède. Ne pas utiliser un nettoyeur abrasif ou rude.
  9. Bien rincer et essuyer avec un linge doux et propre.
  10. Utiliser une éponge ou un linge doux propre et un détergent doux dans l'eau tiède pour nettoyer l'extérieur du congélateur, l'intérieur de la porte et le joint.
  11. Bien rincer et essuyer avec un linge doux et propre.
  12. Enduire de cire les surfaces en métal peintes à l'extérieur du congélateur pour fournir une protection antirouille.
- REMARQUE :** Ne pas utiliser de cire sur les pièces en plastique. La cire peut les endommager.
13. **Pour les modèles avec système d'écoulement, vous devez remplacer le tuyau d'écoulement, le bouchon d'écoulement et la grille de la base.**
  14. Remplacer tous les aliments congelés.
  15. Brancher le congélateur ou réactiver le courant électrique.
  16. Consulter la section "Réglage de la commande".

## Ampoules d'éclairage (sur certains modèles)

### Remplacement de l'ampoule intérieure :

1. Débrancher le congélateur ou la source de courant électrique.
2. Retirer le protecteur de l'ampoule en pressant légèrement les côtés et en le retirant.
3. Remplacer l'ampoule par une ampoule de 15 W pour appareils électroménagers.
4. Remplacer le protecteur de l'ampoule en insérant les languettes arrière dans les fentes et en pressant légèrement le protecteur pour insérer les languettes avant dans les fentes.
5. Brancher le congélateur ou réactiver le courant électrique.
6. Consulter la section "Réglage de la commande".



## Pannes de courant électrique

En cas de panne de courant électrique dans votre maison, téléphoner à la compagnie d'électricité pour demander la durée de l'interruption du courant.

1. Si le service doit être interrompu durant **24 heures ou moins, garder le congélateur** fermé pour aider à garder les aliments congelés.
2. Si le service doit être interrompu pendant **plus de 24 heures :**
  - a) Retirer tous les aliments et les entreposer dans un entrepôt frigorifique.

**OU**

- b) Placer 907 g (2 lbs) de neige carbonique dans le congélateur pour chaque 28 L (pi<sup>3</sup>) d'espace de congélation. Cette quantité permettra de garder les aliments congelés de 2 à 4 jours. Porter des gants pour protéger les mains contre les gelures de la glace lorsque vous employez la neige carbonique.

**OU**

- c) S'il n'y a pas d'entrepôt frigorifique ni de neige carbonique, consommer ou mettre immédiatement en conserve les aliments périssables.

**REMARQUE :** Un congélateur plein restera froid plus longtemps qu'un congélateur partiellement rempli. Un congélateur plein de viande demeure froid plus longtemps qu'un congélateur rempli de pains et de pâtisseries. Si les aliments contiennent des cristaux de glace, ils peuvent être remis à congeler, sans danger, même si la qualité et la saveur risquent d'être affectées. Si les aliments semblent de piètre qualité ou douteux, les jeter.

## Déménagement

- Enlever tous les aliments congelés et les placer dans la neige carbonique.
- Débrancher le congélateur et le nettoyer à fond.
- Immobiliser le couvercle du congélateur avec un ruban adhésif et coller le cordon électrique avec un ruban adhésif à la caisse.

Lorsque vous arrivez à la nouvelle demeure, consulter les sections "Installation du congélateur" et "Utilisation du congélateur" pour des renseignements sur l'installation et les réglages.

---

# DÉPANNAGE

Essayer les solutions suggérées ici d'abord, afin d'éviter le coût d'une visite de service possible...

---

## Le congélateur ne fonctionne pas

---

- **Le cordon du courant électrique est-il débranché?**  
Brancher fermement le cordon du courant électrique dans une prise de courant active avec tension de voltage appropriée.
  - **Le fusible est-il grillé ou le disjoncteur s'est-il déclenché?**  
Remplacer le fusible ou enclencher de nouveau le disjoncteur.
  - **Le réglage de la commande de température est-il à un réglage numéroté?**  
Voir la section "Réglage de la commande".
  - **Le congélateur se dégivre-t-il (sur certains modèles)?**  
Vérifier de nouveau si le congélateur fonctionne après 30 minutes. Le congélateur exécute régulièrement un programme de dégivrage automatique.
- 

## Les ampoules n'éclairent pas

---

- **Le cordon du courant électrique est-il débranché?**  
Brancher fermement le cordon du courant électrique dans une prise de courant active avec voltage approprié.
- **Une ampoule d'éclairage est-elle délogée dans la douille?**  
Tourner la commande du congélateur à "OFF/ARRÊT". Débrancher le congélateur de la source de courant électrique. Enlever délicatement l'ampoule et la réinsérer. Ensuite, rebrancher le congélateur à la source de courant électrique et faire de nouveau le réglage du congélateur.
- **Une ampoule est-elle grillée?**  
Remplacer par une ampoule d'appareil ménager de tension, de grosseur et de forme similaires. Voir la section "Remplacement des ampoules d'éclairage".

---

## Le moteur semble fonctionner excessivement.

---

- **Est-ce que le givrage excessif ou un emballage empêche la porte de fermer?**  
Dégivrer et nettoyer le congélateur, ou déplacer l'emballage pour que la porte puisse bien se fermer.
- **La température ambiante est-elle plus chaude que normalement?**  
Prévoir que le moteur fonctionnera plus longtemps dans des conditions de chaleur. Aux températures ambiantes normales, prévoir que le moteur fonctionnera environ 40 % à 80 % du temps. Dans des conditions plus chaudes, prévoir un fonctionnement encore plus fréquent.
- **Une grande quantité d'aliments vient-elle d'être ajoutée au congélateur?**  
L'addition d'une grande quantité d'aliments réchauffe le congélateur. Il est normal que le moteur fonctionne plus longtemps afin de refroidir de nouveau le congélateur. Ne pas ajouter d'aliments non congelés en une fois, qui congèlera en 24 heures environ 0,9 à 1,4 kg (2 à 3 lb) par pi 3 d'espace du congélateur.
- **La porte est-elle ouverte fréquemment?**  
Prévoir que le moteur fonctionnera plus longtemps dans ce cas. Afin de conserver l'énergie, essayez de sortir tout ce dont vous avez besoin du congélateur à la fois, garder les aliments organisés de sorte qu'ils sont faciles à trouver et fermer la porte dès que des aliments sont enlevés.
- **La commande est-elle correctement réglée pour les conditions ambiantes?**  
Se référer à la section "Réglage de la commande".
- **La porte est-elle fermée complètement?**  
Appuyer fermement sur la porte pour la fermer. Si elle ne ferme pas complètement voir "La portes ne ferme pas complètement" plus loin dans cette section.
- **Les serpentins du condenseur sont-ils sales?**  
Ceci empêche l'air de passer et fait travailler le moteur plus fort. Nettoyer les serpentins du condenseur. Se référer à la section "Nettoyage du congélateur".
- **Le joint d'étanchéité de la porte est-il scellé complètement?**  
Contacter une personne qualifiée ou un technicien.
- **Y a-t-il suffisamment d'espace pour la circulation de l'air autour du congélateur?**  
Voir la section "Espacement requis".

**REMARQUE :** Si le problème n'est pas attribuable à l'une des causes ci-dessus, se rappeler que votre congélateur neuf fonctionnera plus longtemps que votre ancien, grâce à son moteur plus efficace.

---

## La température est trop chaude

---

- **La porte est-elle ouverte fréquemment?**  
Le congélateur sera plus chaud lorsque la porte est ouverte fréquemment. Pour garder le congélateur froid, essayer de prendre tout ce dont vous avez besoin dans le congélateur à la fois, garder les aliments organisés, de sorte qu'il est facile de les trouver, et fermer la porte dès que les aliments sont retirés.
- **Une grande quantité d'aliments vient-elle d'être ajoutée au congélateur?**  
L'addition d'une grande quantité d'aliments réchauffe le congélateur. Plusieurs heures peuvent être nécessaires au congélateur pour retourner à la température normale.
- **La commande est-elle réglée correctement pour les conditions ambiantes?**  
Se référer à la section "Réglage de la commande".

---

## La porte ne ferme pas complètement

---

- **Des emballages alimentaires bloquent-ils l'ouverture de la porte?**  
Redisposer les contenants de sorte qu'ils sont plus serrés et prennent moins d'espace.
- **Le bac à glaçons est-il en position?**  
Placer les clayettes et les paniers à leur position correcte.
- **Les joints sont-ils sales ou collants?**  
Nettoyer les joints d'après les directives de la section "Nettoyage du congélateur".
- **Le congélateur semble-t-il instable?**  
Niveler le congélateur. Référer à la section "Espacement requis".

---

## La porte est-elle difficile à ouvrir?

---

- **Les joints sont-ils sales ou collants?**  
Nettoyer les joints d'après les directives de la section "Nettoyage du congélateur".

---

## Le congélateur fait un bruit, mais ne fonctionne pas

---

- **Le courant local a-t-il été en panne?**  
Débrancher le congélateur pendant 30 minutes pour permettre au système de réfrigération de s'activer. Au cours de ce temps, garder la porte fermée autant que possible.

---

# DEMANDE D'ASSISTANCE OU DE SERVICE

Avant de téléphoner pour assistance ou service, veuillez vérifier la section "Dépannage". Cette action peut vous faire économiser le coût d'une visite de service. Si vous avez encore besoin d'assistance, suivre les instructions ci-dessous.

## POUR ASSISTANCE OU SERVICE AUX É.-U. :

### 1. Si le problème n'est pas attribuable à l'une des causes indiquée dans la section "Dépannage"...

**Communiquer avec le Centre d'assistance aux consommateurs Whirlpool sans frais d'interurbain en composant 1-800-253-1301. Nos consultants sont disponibles pour vous aider.**

Lors de l'appel, veuillez connaître la date d'achat et les numéros au complet de modèle et de série de votre appareil électroménager (voir la section "Garantie"). Ces renseignements nous aideront à mieux répondre à votre demande.

**Nos consultants offrent l'assistance pour les questions suivantes :**

- Caractéristiques et spécifications sur notre gamme complète d'appareils électroménagers.
- Renseignements d'installation.
- Procédé d'utilisation et d'entretien.
- Vente d'accessoires et de pièces de rechange.
- Assistance spécialisée aux clients (langue espagnole, malentendants, malvoyants, etc.).
- Marchands, compagnies de service et distributeurs de pièces de rechange locaux.

**Des techniciens de service désignés par Whirlpool** sont formés pour exécuter la garantie du produit et fournir le service après garantie, n'importe où aux États-Unis.

Pour localiser la compagnie de service désignée par Whirlpool dans votre région, vous pouvez aussi consulter les pages jaunes de votre annuaire téléphonique.

### 2. Si vous avez besoin de pièces de rechange...

Si vous avez besoin de commander des pièces de rechange, nous vous recommandons d'utiliser seulement des pièces autorisées de l'usine. Les pièces désignée par de l'usine conviendront bien et fonctionneront bien parce qu'elles sont fabriquées selon les mêmes spécifications précises utilisées pour construire chaque nouvel appareil Kirkland Signature™ par Whirlpool Corporation.

Pour localiser des pièces autorisées de l'usine dans votre région, téléphoner à notre Centre d'assistance aux consommateurs ou au centre de service désigné le plus proche.

### 3. Pour plus d'assistance...

Si vous avez besoin de plus d'assistance, vous pouvez écrire à Whirlpool en soumettant toute question ou problème à l'adresse suivante :

Whirlpool Corporation  
Consumer Assistance Center  
c/o Correspondence Dept.  
2000 North M-63  
Benton Harbor, MI 49022-2692

Veuillez inclure, dans votre correspondance, un numéro de téléphone où l'on peut vous joindre le jour.

### \*Lors d'une demande d'aide ou de service :

Veuillez fournir une description détaillée du problème, les numéros complets de modèle et de série de l'appareil, et la date d'achat. (Voir section "Garantie".) Ces renseignements nous aideront à bien répondre à votre demande.

# GARANTIE DU CONGÉLATEUR

**KIRKLAND**  
*Signature*™

By Whirlpool  
CORPORATION

## GARANTIE COMPLÈTE DE DEUX ANS À COMPTER DE LA DATE D'ACHAT

Pour une période de deux ans à partir de la date d'achat, lorsque ce congélateur est utilisé et entretenu conformément aux instructions fournies avec le produit, Whirlpool paiera pour les pièces autorisées de l'usine et les frais de réparation pour corriger les vices de matériaux ou de fabrication. Les travaux doivent être effectués par une compagnie de service désignée par Whirlpool.

## GARANTIE COMPLÈTE DE CINQ ANS À COMPTER DE LA DATE D'ACHAT

Pour une période de cinq ans à partir de la date d'achat, lorsque ce congélateur est utilisé et entretenu conformément aux instructions fournies avec le produit, Whirlpool paiera pour : les pièces autorisées de l'usine et les frais de réparation pour corriger les vices de matériaux ou de fabrication dans le système de réfrigération scellé. Ces pièces sont : le compresseur, l'évaporateur, le condenseur, le dispositif de séchage, les tubes de raccord. Les travaux doivent être effectués par une compagnie de service désignée par Whirlpool.

### Whirlpool Corporation ne paiera pas pour :

1. Les visites de service pour rectifier l'installation du congélateur, montrer à l'utilisateur comment utiliser le congélateur ou remplacer des fusibles, rectifier le câblage électrique ou la plomberie du domicile ou remplacer des ampoules électriques
2. Les réparations lorsque le congélateur est utilisé à des fins autres qu'un usage unifamilial normal..
3. Transport pour aller chercher et livrer l'appareil. Le congélateur est conçu pour être réparé sur place.
4. Les dommages causés par : accident, usage inapproprié, incendie, inondation, actes de Dieu, ou l'utilisation de produits non approuvés par Whirlpool.
5. Protection contre la perte de nourriture pour les congélateurs utilisés commercialement.
6. Les réparations de pièces ou systèmes attribuables à des modifications non autorisées de l'appareil ménager.

### WHIRLPOOL CORPORATION DÉCLINE TOUTE RESPONSABILITÉ AU TITRE DE DOMMAGES SECONDAIRES OU INDIRECTS

Certains États peuvent ne pas admettre l'exclusion ou la limitation des dommages secondaires ou indirects; par conséquent, l'exclusion ou la limitation mentionnée ci-dessus peut ne pas s'appliquer dans votre cas. Cette garantie vous confère des droits juridiques spécifiques; vous pouvez également jouir d'autres droits qui peuvent varier d'un État.

En dehors des États-Unis, une garantie différente peut s'appliquer. Pour les détails, veuillez communiquer avec votre marchand Whirlpool autorisé. Whirlpool Corporation est responsable pour fournir tout service sous garantie couvert par cette garantie. Si vous avez besoin de service, voir d'abord la section "Dépannage" de ce livret. Après avoir vérifié le "Dépannage", une aide additionnelle peut être obtenue en vérifiant la section "Demande d'assistance ou de service" ou en téléphonant au Centre d'assistance aux consommateurs Whirlpool, au **1-800-253-1301** (sans frais d'interurbain) de partout aux États-Unis; ou en écrivant à : Whirlpool Corporation, Consumer Assistance Center, c/o Correspondence Dept., 2000 North M-63, Benton Harbor, MI 49022-2692.

1/99

### REMBOURSEMENT LIMITÉ DOMESTIQUE POUR LES PERTES D'ALIMENTS

Au cours de la première année de l'achat, la garantie d'un appareil Kirkland Signature™ par Whirlpool Corporation le remboursement tel qu'indiqué ci-dessous pour les aliments gaspillés pendant l'entreposage dans le congélateur à la suite de vices de matériaux ou de main-d'œuvre. Au cours de la deuxième année, jusqu'à la cinquième année inclusivement, le remboursement sera fait tel qu'indiqué ci-dessous pour les aliments gaspillés pendant qu'ils sont entreposés dans le congélateur à la suite D'UNE PANNE DU SYSTÈME DE RÉFRIGÉRATION SCELLÉ. Les pertes attribuables au gaspillage d'aliments doivent être vérifiées par Whirlpool ou une compagnie de service désignée par Whirlpool. Le remboursement des pertes sera basé sur l'usage domestique et la grandeur du congélateur jusqu'au total cumulatif indiqué pour la période de garantie de cinq ans.

Paiement maximal jusqu'à 100 \$ pour 14,9 pi<sup>3</sup> ou plus petit.

Paiement maximal jusqu'à 150 \$ pour 15,0 pi<sup>3</sup> ou plus grand.

Les montants de remboursement indiqués ne peuvent pas couvrir les coûts de remplacement réels du congélateur. Il s'agit cependant du paiement maximal qui sera payé, et ces montants sont cumulatifs pour la période de garantie de cinq ans.

Nous regrettons, mais Whirlpool n'est pas responsable pour les pertes d'aliments causées par le gaspillage naturel, le mauvais usage ou pour un soin négligent du congélateur, ou par déconnexion accidentelle ou intentionnelle du cordon d'alimentation électrique, interruption de courant, courant inadéquat, dommages causés par incendie, dommages par inondation, vol, émeute, grève, guerre ou actes de Dieu.

**Conserver ce manuel et la facture d'achat ensemble pour consultation ultérieure. Pour service sous garantie, vous devez présenter un document prouvant la date d'achat ou d'installation.**

Inscrivez les renseignements suivants à propos de votre réfrigérateur pour mieux obtenir assistance ou service en cas de besoin. Vous devez connaître le numéro de modèle et le numéro de série complets. Cette information est indiquée sur la plaque signalétique dont l'emplacement sur votre appareil est indiqué à la section "Pièces et caractéristiques".

Nom du marchand \_\_\_\_\_

Adresse \_\_\_\_\_

Numéro de téléphone \_\_\_\_\_

Numéro de modèle \_\_\_\_\_

Numéro de série \_\_\_\_\_

Date d'achat \_\_\_\_\_

DISTRIBUTED BY/DISTRIBUÉ PAR :  
CWC, P.O. BOX 34535  
SEATTLE, WA 98124-1535  
1-800-774-2678 U.S.

1/99

Printed in U.S.A.  
Imprimé aux É.-U.